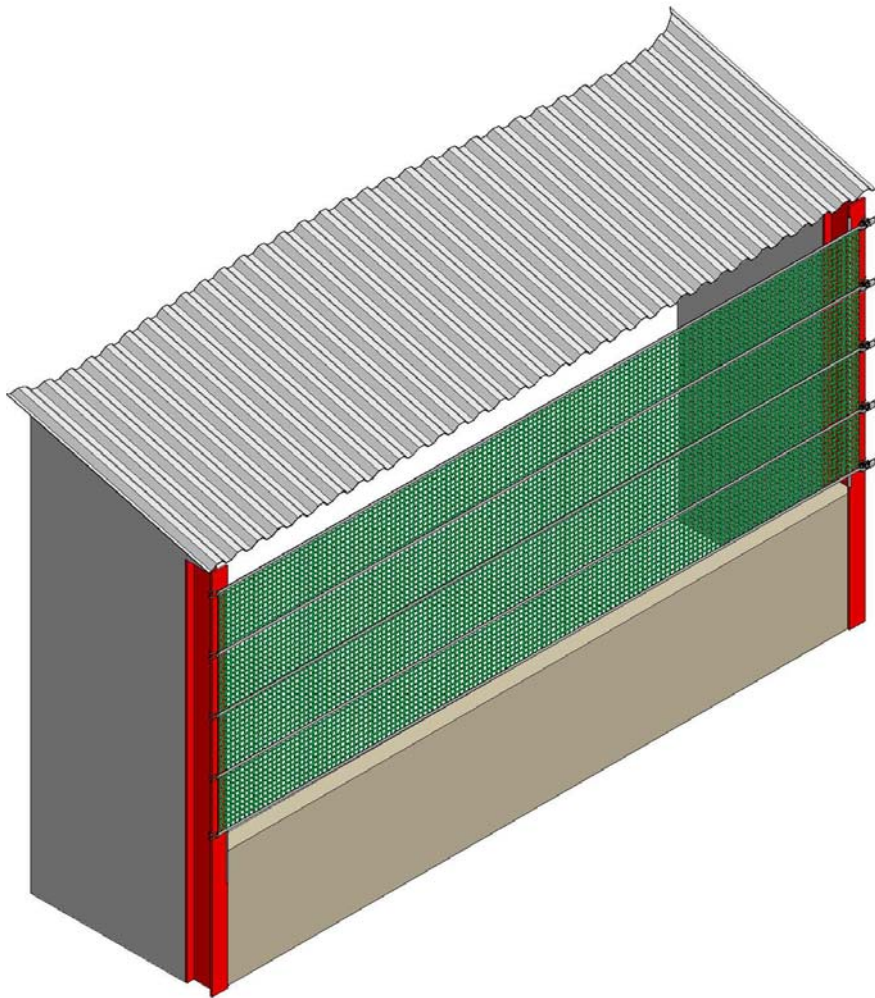


Bayscreen®



ENG

Installation Instructions



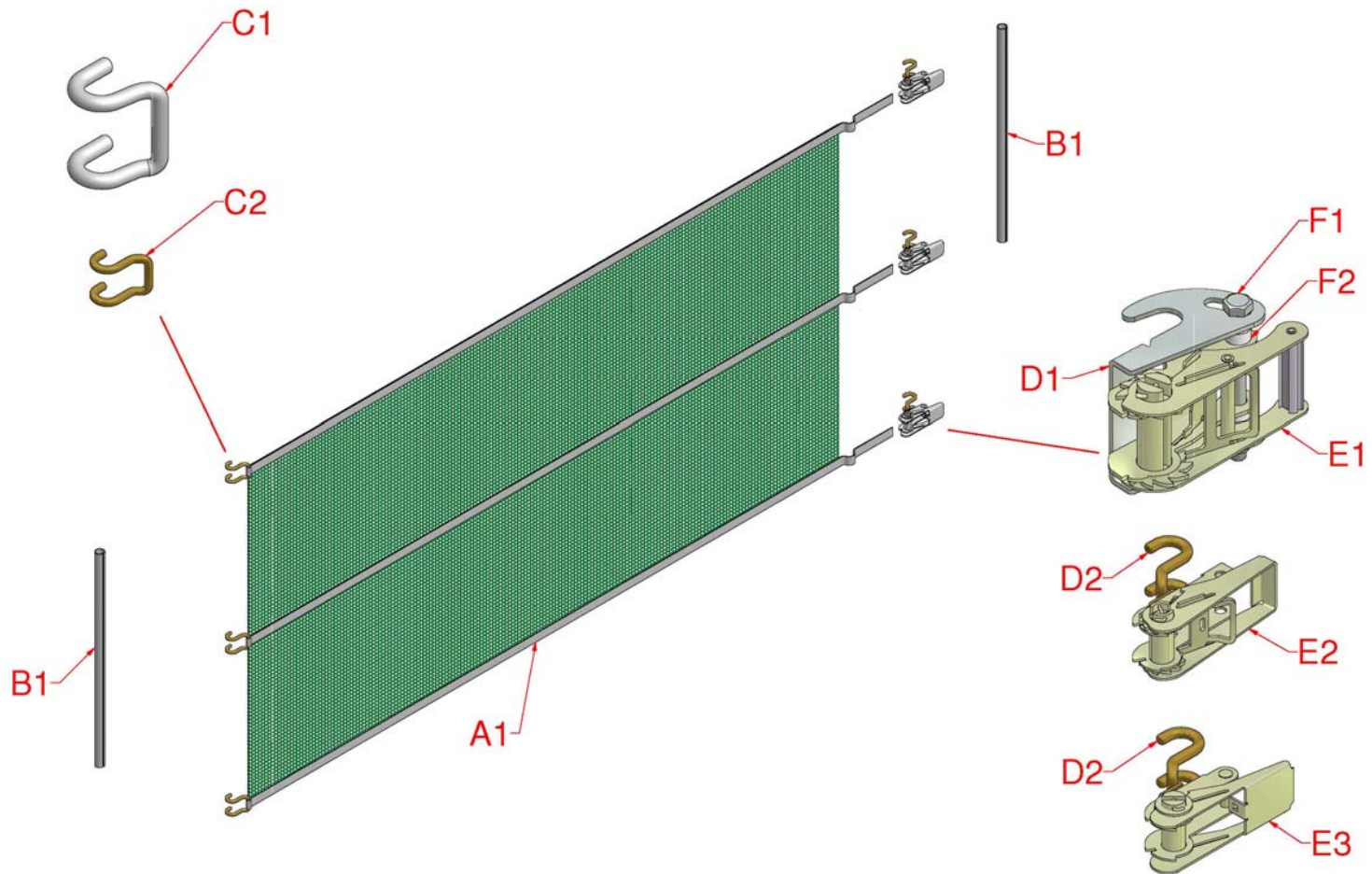


Figure 1, System Overview and Individual Components

INTRODUCTION

Parts List

Reference:	Quantity/Height				Product Description
	1.0m	1.5m	2.0m	3.0m	
A1	1	1	1	1	Bayscreen Sheet
B1	4	6	8	12	Plastic Edge Protector (50cm long)
C1	3	4	5	7	50mm Cranked Hook (L>10m)
C2	3	4	5	7	25mm Cranked Hook (L<10m)
D1	3	4	5	7	50mm Ratchet Hook (L>10m)
D2	3	4	5	7	25mm Ratchet Hook (L<10m)
E1	3	4	5	7	50mm Ratchet (L>10m)
E2	3	4	5	7	25mm Ratchet (6.5m<L<10m)
E3	3	4	5	7	25mm Ratchet (L<6.5m)
F1	3	4	5	7	M12x130 Bolt and nyloc nut
F2	12	16	20	28	Ratchet Spacer

ENG

L = Screen Length (m)

Additional Top Support

Bayscreens over 15m wide are supplied with an additional central support.

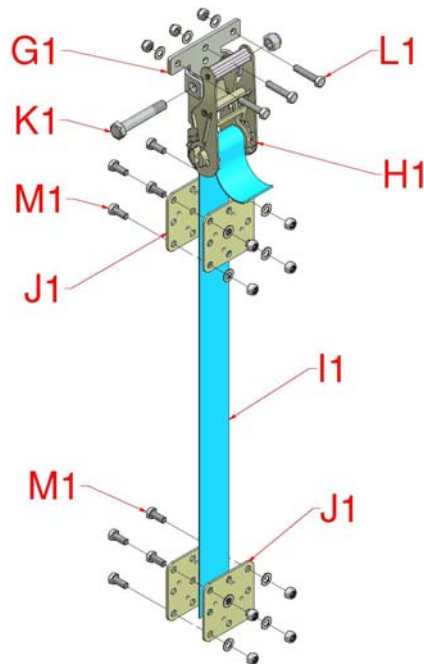


Figure 2, Additional Top Support

Reference	Qty	Product Description
G1	1	50mm Ratchet Bracket
H1	1	50mm Ratchet
I1	1	4m x 50mm Webbing
J1	4	85mm x 85mm Clamp Plate
K1	1	M12 x 90 Bolt, nut
L1	3	M8 x 40 Bolt, nut, washer *
M1	8	M8 x 20 Bolt, nut, washer

* Alternative M8 fastenings required if fixing to wood or concrete

ENG

Your Safety

The installation of the screen is not recommended at excessive wind speeds as it could cause damage to the curtain or injury to the Installer.

Items Required By The Installer

Standard tool kit including:

- Sharp pair of scissors or knife
- Electric drill (L>15m)

Key Instructions



CAUTION: Potentially hazardous situation: must be avoided otherwise injuries may result.



ATTENTION: Observe the given instructions otherwise the product or adjacent items may be damaged

NOTE: Helpful comments and information to assist in installation or use of your product

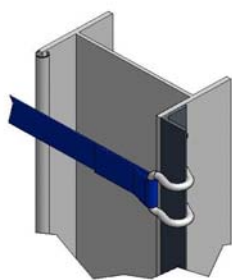
NOTE: Before starting the installation it is advisable to read these instructions completely to help understand the general procedure and options available. Keep the instructions supplied for reference purposes.

NOTE: Colour versions of the installation instructions can be downloaded from our website:
www.galebreaker.com

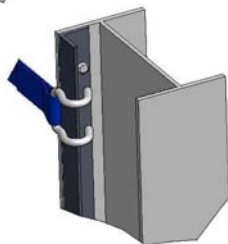
Fixing Variations

The following are alternative fixing methods for installations to buildings where the building columns are of H-Beam construction but opposite orientation, or manufactured from timber or concrete.

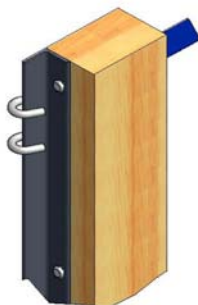
ENG



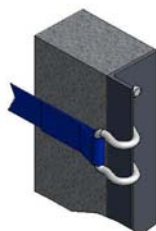
Steel angle on H-Beam, external



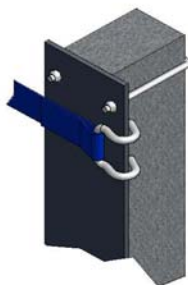
Steel angle on H-Beam, internal



Steel angle on timber upright



Steel angle on concrete upright



Steel plate on concrete upright

Figure 3, Fixing Variations

INSTALLATION

1. Check the contents of your Bayscreen against the parts list using Figure 1. Do not let the screen material come into contact with any sharp objects or edges.
2. Fix plastic protectors (B1) over the inner edges of the pillars (Figure 4). If you are unable to use these protectors due to the building design then it is important sharp objects and rough surfaces are covered with PVC strip or similar.

ENG

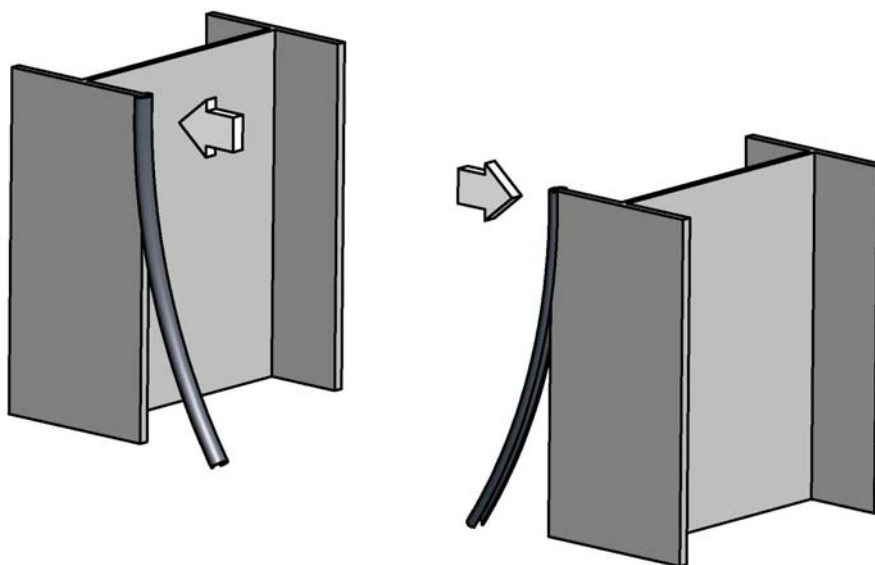


Figure 4, Plastic Edge Protector



ATTENTION: Failure to fit these protectors will reduce the life of your Bayscreen.

NOTE: For standard installation the ratchets are on the right-hand side and the webbing faces outwards.

3. Fix the plain hooks (C1 or C2) into the screen loops (A1) and attach to left-hand H-Beam, Figure 5(i).
4. Offer up the screen (A1) to the opening. Screens must be connected from pillar to pillar, under no circumstances must they pass intermediate pillars or obstructions.
5. If necessary trim the screen to the required length. For best results, use sharp scissors / knife with a straight edge to remove the fabric either side of the webbing strap ensuring all corners have a radius. Always remove surplus fabric, do not just cut either side of the webbing that allows a loose flap, to be generated, Figure 5(ii).

ENG

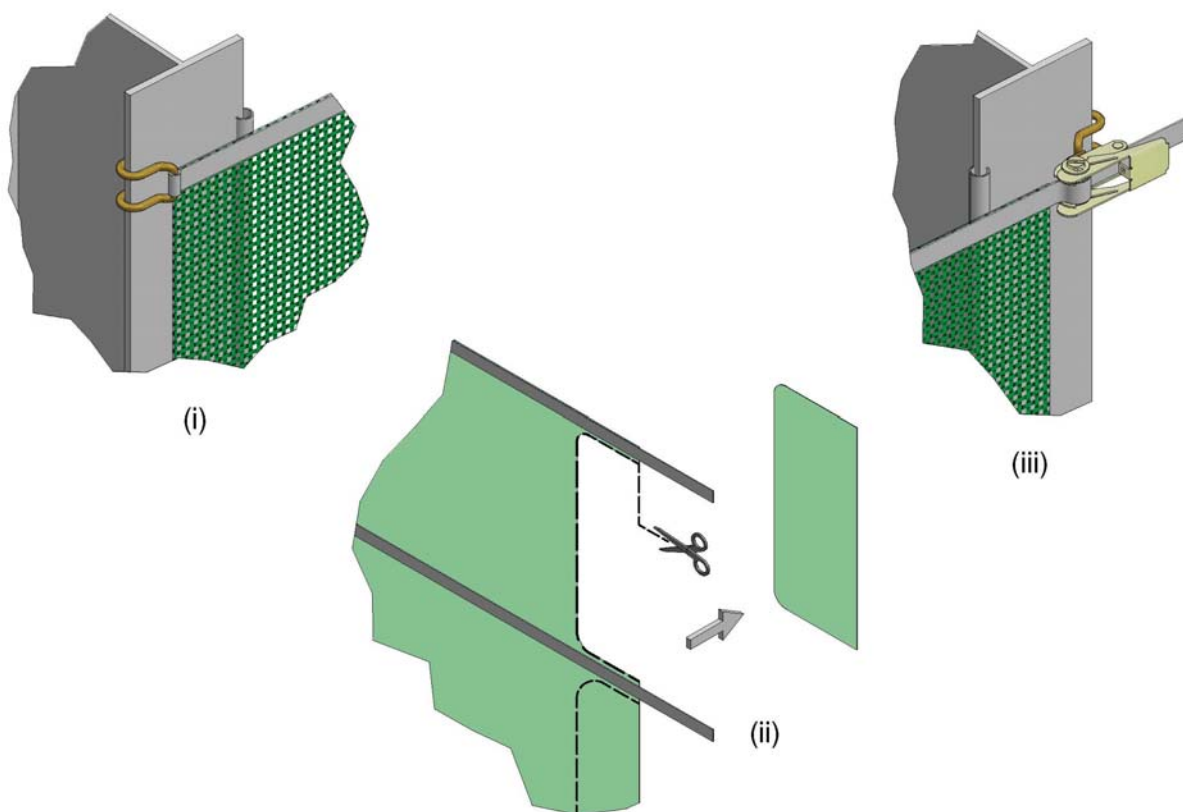


Figure 5, Fitting the Sheet



ATTENTION: Cut with care, do not cut through horizontal webbing, and do not peel or remove the fabric off the back of the webbing.

- 6.1 If $L > 10\text{m}$ assemble ratchet hooks (D1) to ratchets (E1) using the M12x130 bolts and nuts (F1) with two ratchet spacers (F2) each side of the ratchet, Figure 6a.

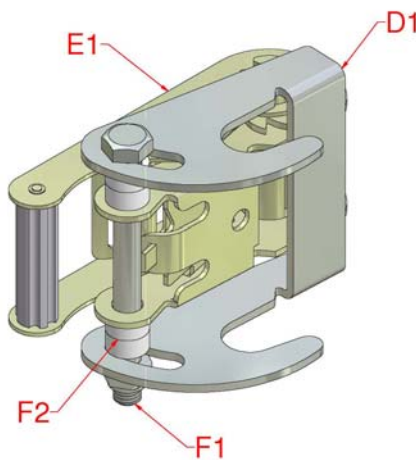


Figure 6a, 50mm Hook and Ratchet Assembly

- 6.2 If $L < 10\text{m}$ clip the 25mm ratchet hook (D2) to the 25mm ratchet (E2 or E3) as in Figure 6b.

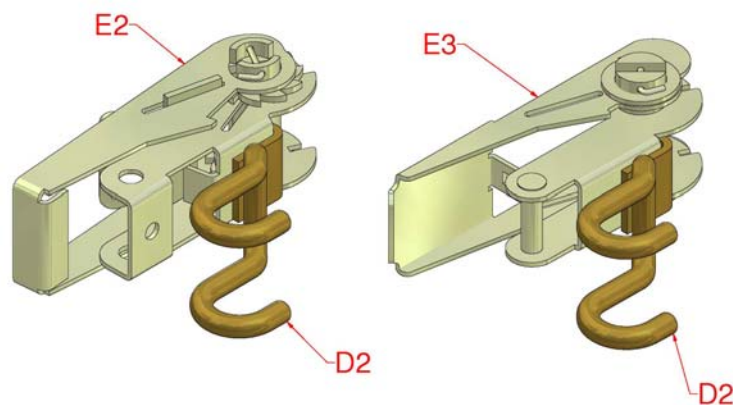
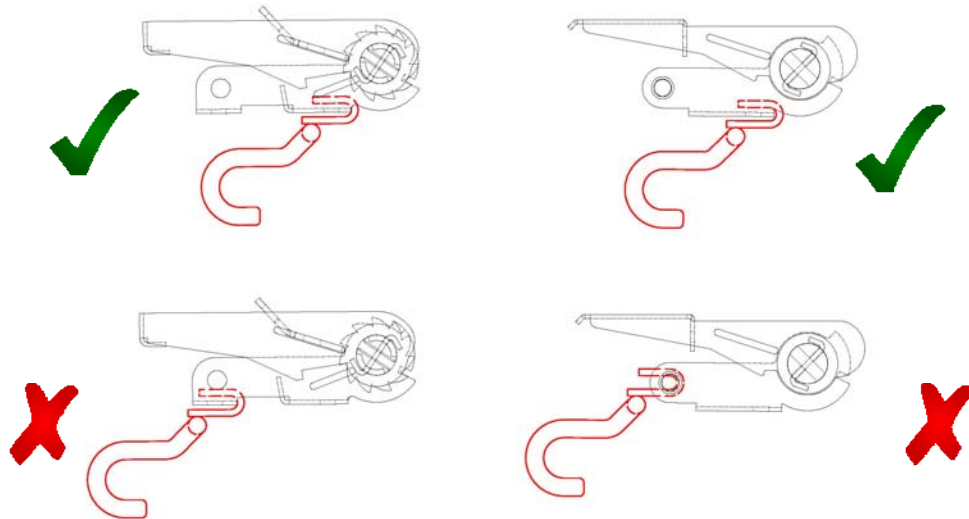



Figure 6b, 25mm Hook and Ratchet Assembly





ATTENTION: Under no circumstances allow the Galebreaker mesh material to run into the ratchet. Further trimming may be necessary.

7. Hold the ratchet assembly in position on opposite H-Beam. Thread the top strap through the ratchet, do not fully tension screen at this stage, Figure 5(iii). Repeat stage on all remaining ratchets/straps. Push all the ratchets and hooks away from each other to provide good tension to the vertical edges of the Bayscreen (Figure 7).

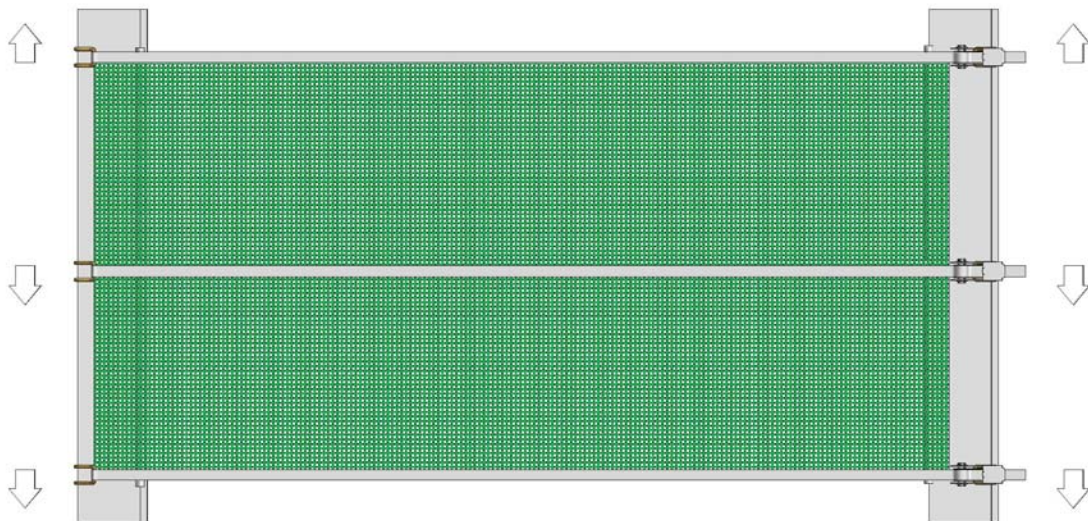


Figure 7, Tensioning the Screen

8. Tighten all ratchets as firmly as possible, applying the tension equally to avoid wrinkles appearing in the material. Tension can be applied as firmly as possible

by hand to the point where operation of the ratchet is no longer possible, but under no circumstances use levers to add more tension. Should the hooks slide on the pillars then a preventative 'stop' should be fastened to the building upright.



ATTENTION: Tension ratchets fully, lack of tension will cause damage to the Bayscreen. Only tension by hand, use of levers could cause damage to the ratchets.

ENG



ATTENTION: To ensure the ratchet functions correctly there must be a minimum of 150mm webbing (for 50mm ratchet) or 100mm webbing (25mm ratchet) around the ratchet barrel for secure & permanent tensioning of the screen.

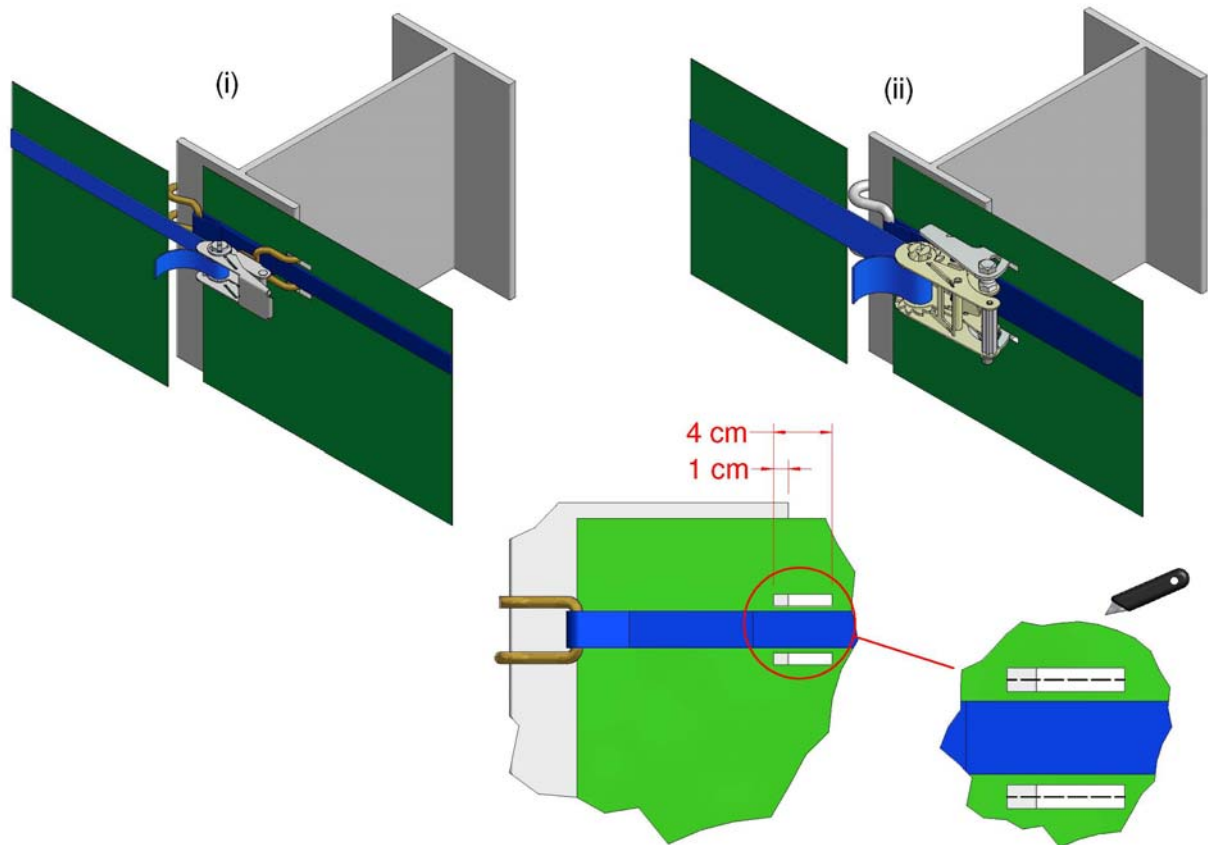


ATTENTION: Overloading the ratchet barrel with webbing will restrict the tension you can apply to the screen due to an increase in friction and a decrease in leverage. To free surplus webbing pull ratchet release catch on handle and open 180 degrees until ratchet body is flat and pull on webbing strap.

Mounting Screens in Series

9. When screens are installed in series they share a common pillar, the ratchet of one screen can be set above or below the hook of the other screen creating an offset. Alternatively they can be installed 'in line' as detailed in Figure 8(i) (25mm webbing) and in Figure 8(ii) (50mm webbing).

10. Install screens working from right to left as viewed from the side with the webbing. When fitting the second screen, offer up the ratchet hook (D1 or D2) to straddle the webbing of the previous screen and cut two slits in the fabric 4cm long to coincide with the legs of the hook. Cut the material 1cm back past the edge of the upright so that the hook contacts on the upright and does not put load onto the fabric. Pass the ratchet hook through the slits and onto the upright, then tension the screen as previously instructed.



ENG

Figure 8, Mounting Screens In Series

Additional Top Support (for Bayscreens over 15m long)

11. Decide on the position of the top support, to minimise screen sag we recommend it is positioned to within 1m of the centre. Assemble the ratchet bracket assembly (E1) with the M12 x 85mm bolt (C) provided. Figure 9 depicts the standard fitting of the bracket, but it can be reversed if mounting space is limited. Fit assembly to the building with the three M8x40 fixings (B) supplied, do not use fastenings smaller than M8.

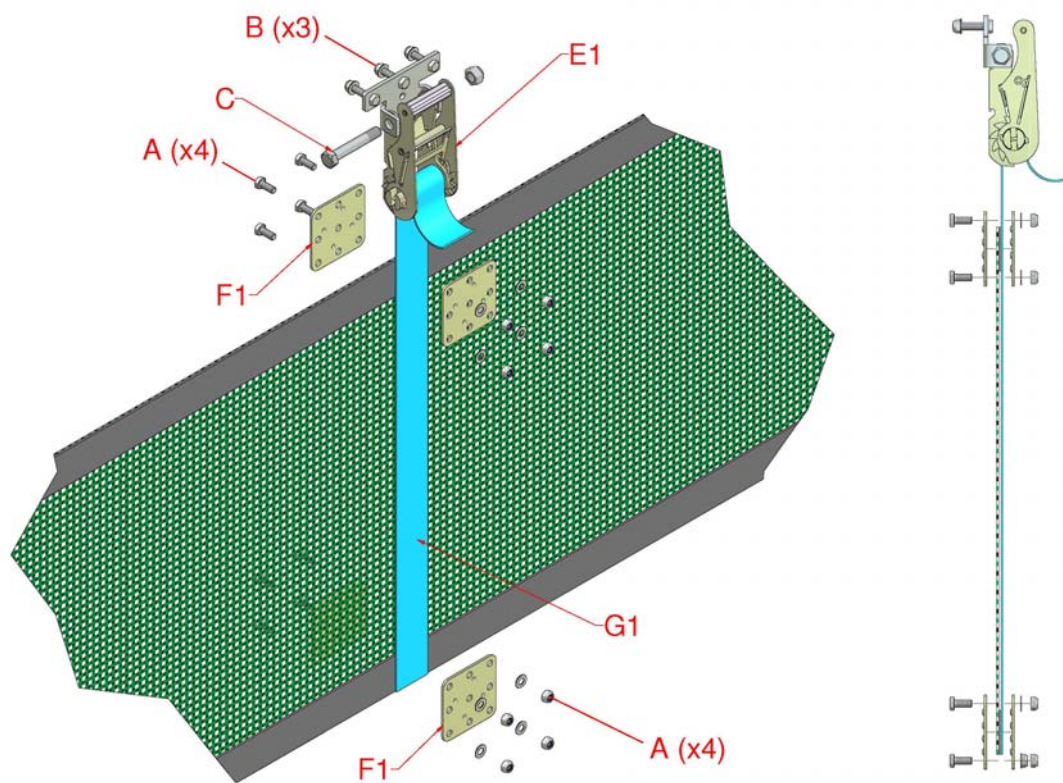


Figure 9, Top Support

12. Fix webbing to the top two webbing straps on the screen with clamp plates (F1) as shown in Figure 9. The clamp plates bolt either side of the webbing, pierce holes through the fabric for the bolts and not through the webbing. Feed webbing (G1) through ratchet and ensuring at least 150mm of webbing is around the ratchet barrel operate the handle to lift the screen until it is level.

YOUR BAYSCREEN IS READY FOR USE

MAINTENANCE

Maintenance of your Bayscreen

- Check annually for corrosion of the ratchets and hooks. Replace suspect items to ensure the Bayscreen is safe for operators and bystanders alike
- Annually lubricate the ratchets to ensure their free operation.
- Should Screen material be damaged, repair with special repair kit (code SPS-99) available from your Galebreaker dealer, importer or head office

ENG

How to dismantle your Bayscreen

- i) To remove the webbing from the ratchet pull the release catch on the handle and open 180 degrees until the ratchet body is flat, pull on the webbing strap. If the ratchet does not initially release, pull on the webbing strap whilst moving the handle between the 90 degree and 180 degree point.
- ii) Repeat on all ratchets.

NOTE: This product has been tried and tested in the harshest weather conditions, a summary of our guarantee is as follows:

- 100% guarantee for two years, followed by an eight year graduated guarantee, see our website for full details.

RAIN INGRESS: Please note that in extreme weather conditions some moisture will penetrate a mesh material.